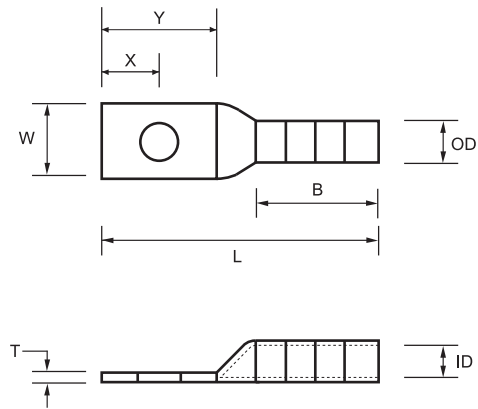


Copper Lugs



1-Hole Copper Lugs

| Code No. | Copper Conductor | | Stud Size | Dimensions (in) | | | | | | | |
|-------------|------------------|-----------------|-----------|-----------------|------|------|------|------|------|------|------|
| | AWG/MCM | mm ² | | I.D | O.D | L | W | X | Y | T | B |
| KOH 8-6 | 8 | - | 1/4" | 0.18 | 0.28 | 1.53 | 0.43 | 0.25 | 0.62 | 0.10 | 0.71 |
| KOH 6-6 | 6 | 16 | 1/4" | 0.22 | 0.31 | 1.93 | 0.48 | 0.25 | 0.62 | 0.08 | 1.07 |
| KOH 4-6 | 4 | 25 | 1/4" | 0.28 | 0.38 | 1.95 | 0.55 | 0.25 | 0.62 | 0.09 | 1.07 |
| KOH 2-8 | 2 | 35 | 5/16" | 0.31 | 0.42 | 2.27 | 0.66 | 0.32 | 0.76 | 0.10 | 1.16 |
| KOH 1/0-12 | 1/0 | 50 | 1/2" | 0.40 | 0.52 | 2.82 | 0.76 | 0.47 | 1.10 | 0.12 | 1.44 |
| KOH 2/0-12 | 2/0 | 70 | 1/2" | 0.45 | 0.58 | 3.12 | 0.85 | 0.50 | 1.13 | 0.13 | 1.50 |
| KOH 3/0-12 | 3/0 | 95 | 1/2" | 0.51 | 0.64 | 3.14 | 0.96 | 0.50 | 1.13 | 0.13 | 1.50 |
| KOH 4/0-12 | 4/0 | - | 1/2" | 0.58 | 0.71 | 3.24 | 1.06 | 0.50 | 1.13 | 0.14 | 1.56 |
| KOH 250-12 | 250 | 120 | 1/2" | 0.63 | 0.77 | 3.36 | 1.17 | 0.50 | 1.13 | 0.14 | 1.61 |
| KOH 300-12 | 300 | 150 | 1/2" | 0.65 | 0.81 | 3.91 | 1.19 | 0.53 | 1.16 | 0.19 | 2.05 |
| KOH 350-12 | 350 | - | 1/2" | 0.70 | 0.88 | 3.91 | 1.28 | 0.53 | 1.16 | 0.19 | 2.05 |
| KOH 400-16 | 400 | 185 | 5/8" | 0.76 | 0.95 | 4.14 | 1.41 | 0.66 | 1.35 | 0.19 | 2.17 |
| KOH 500-16 | 500 | 240 | 5/8" | 0.84 | 1.06 | 4.50 | 1.53 | 0.66 | 1.35 | 0.22 | 2.30 |
| KOH 600-16 | 600 | 300 | 5/8" | 0.92 | 1.19 | 5.11 | 1.69 | 0.88 | 1.76 | 0.28 | 2.67 |
| KOH 750-16 | 750 | - | 5/8" | 1.03 | 1.30 | 5.67 | 1.75 | 0.88 | 1.94 | 0.28 | 2.88 |
| KOH 800-16 | 800 | 400 | 5/8" | 1.05 | 1.35 | 5.67 | 1.89 | 0.88 | 1.94 | 0.29 | 2.88 |
| KOH 1000-16 | 1000 | 500 | 5/8" | 1.17 | 1.50 | 6.23 | 2.16 | 0.97 | 2.16 | 0.34 | 2.99 |



Test Certificate
IEC 62561 Part 1
UL 486
NEMA CC1

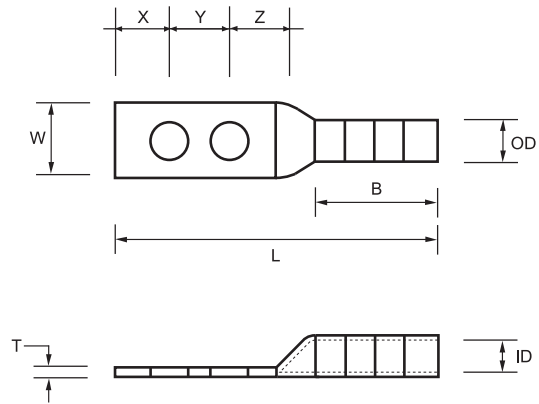


Material
One piece seamless, high conductivity pure electrolytic copper and tin plated



Application
Long Barrel lugs are usable with high voltage up to 35 kV
Suitable for grounding and lightning protection system

Copper Lugs



2-Hole Copper Lugs

| Code No. | Copper Conductor | | Stud Size | Dimensions (in) | | | | | | | | |
|-----------|------------------|-----------------|-----------|-----------------|------|------|------|------|------|------|------|------|
| | AWG/MCM | mm ² | | I.D | O.D | L | W | X | Y | Z | T | B |
| KTH 8-6 C | 8 | - | 1/4" | 0.18 | 0.28 | 2.16 | 0.43 | 0.25 | 0.63 | 0.37 | 0.10 | 0.71 |
| KTH 6-6 C | 6 | 16 | 1/4" | 0.22 | 0.34 | 2.72 | 0.59 | 0.39 | 0.79 | 0.39 | 0.08 | 0.67 |
| KTH 6-8 C | 6 | 16 | 5/16" | 0.22 | 0.34 | 2.72 | 0.59 | 0.39 | 0.79 | 0.39 | 0.08 | 0.67 |
| KTH 4-8 C | 4 | 25 | 5/16" | 0.28 | 0.38 | 2.72 | 0.59 | 0.39 | 0.79 | 0.39 | 0.09 | 0.90 |
| KTH 2-8 C | 2 | 35 | 5/16" | 0.31 | 0.42 | 3.02 | 0.66 | 0.36 | 0.79 | 0.44 | 0.10 | 1.13 |



Test Certificate
IEC 62561 Part 1

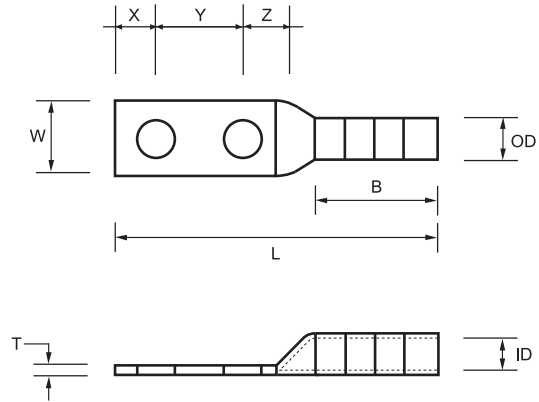


Material
One piece seamless, high conductivity pure electrolytic copper and tin plated



Application
Long Barrel lugs are usable with high voltage up to 35 kV
Suitable for grounding and lightning protection system

Copper Lugs



2-Hole Copper Lugs

| Code No. | Copper Conductor | | Stud Size | Dimensions (in) | | | | | | | | |
|----------------|------------------|-----------------|-----------|-----------------|------|------|------|------|------|------|------|------|
| | AWG/MCM | mm ² | | I.D | O.D | L | W | X | Y | Z | T | B |
| KTH 8-6 DN | 8 | - | 1/4" | 0.18 | 0.28 | 2.16 | 0.43 | 0.25 | 0.63 | 0.37 | 0.10 | 0.71 |
| KTH 6-6 DN | 6 | 16 | 1/4" | 0.22 | 0.31 | 2.56 | 0.48 | 0.25 | 0.63 | 0.37 | 0.08 | 1.07 |
| KTH 4-6 DN | 4 | 25 | 1/4" | 0.28 | 0.38 | 2.58 | 0.55 | 0.25 | 0.63 | 0.37 | 0.09 | 1.07 |
| KTH 2-8 DN | 2 | 35 | 5/16" | 0.31 | 0.42 | 3.02 | 0.66 | 0.36 | 0.75 | 0.44 | 0.10 | 1.16 |
| KTH 1/0-12 DN | 1/0 | 50 | 1/2" | 0.40 | 0.52 | 4.90 | 0.76 | 0.63 | 1.75 | 0.63 | 0.12 | 1.44 |
| KTH 2/0-12 DN | 2/0 | 70 | 1/2" | 0.45 | 0.58 | 4.98 | 0.85 | 0.63 | 1.75 | 0.63 | 0.13 | 1.50 |
| KTH 3/0-12 DN | 3/0 | 95 | 1/2" | 0.51 | 0.64 | 4.98 | 0.96 | 0.63 | 1.75 | 0.63 | 0.13 | 1.50 |
| KTH 4/0-12 DN | 4/0 | - | 1/2" | 0.58 | 0.71 | 5.13 | 1.06 | 0.63 | 1.75 | 0.63 | 0.14 | 1.56 |
| KTH 250-12 DN | 250 | 120 | 1/2" | 0.63 | 0.77 | 5.23 | 1.17 | 0.63 | 1.75 | 0.63 | 0.14 | 1.61 |
| KTH 300-12 DN | 300 | 150 | 1/2" | 0.65 | 0.81 | 5.80 | 1.19 | 0.63 | 1.75 | 0.63 | 0.19 | 2.05 |
| KTH 350-12 DN | 350 | - | 1/2" | 0.70 | 0.88 | 5.80 | 1.28 | 0.63 | 1.75 | 0.75 | 0.19 | 2.05 |
| KTH 400-12 DN | 400 | 185 | 1/2" | 0.76 | 0.95 | 6.05 | 1.41 | 0.63 | 1.75 | 0.75 | 0.19 | 2.17 |
| KTH 500-12 DN | 500 | 240 | 1/2" | 0.84 | 1.06 | 6.11 | 1.53 | 0.63 | 1.75 | 0.75 | 0.22 | 2.30 |
| KTH 600-12 DN | 600 | 300 | 1/2" | 0.92 | 1.19 | 6.77 | 1.69 | 0.63 | 1.75 | 0.75 | 0.28 | 2.67 |
| KTH 750-12 DN | 750 | - | 1/2" | 1.03 | 1.30 | 7.05 | 1.75 | 0.63 | 1.75 | 0.75 | 0.28 | 2.88 |
| KTH 800-12 DN | 800 | 400 | 1/2" | 1.05 | 1.35 | 7.05 | 1.89 | 0.63 | 1.75 | 0.75 | 0.29 | 2.88 |
| KTH 1000-12 DN | 1000 | 500 | 1/2" | 1.17 | 1.50 | 7.26 | 2.16 | 0.63 | 1.75 | 0.75 | 0.34 | 2.99 |



Test Certificate
IEC 62561 Part 1
UL 486
NEMA CC1

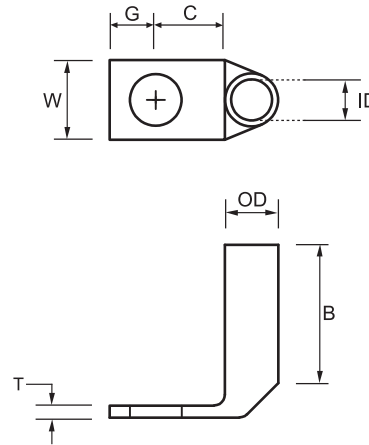


Material
One piece seamless, high conductivity pure electrolytic copper and tin plated




Application
Long Barrel lugs are usable with high voltage up to 35 kV
Suitable for grounding and lightning protection system

Copper Lugs




Copper Lugs One-Hole Long Barrel 90° Pad

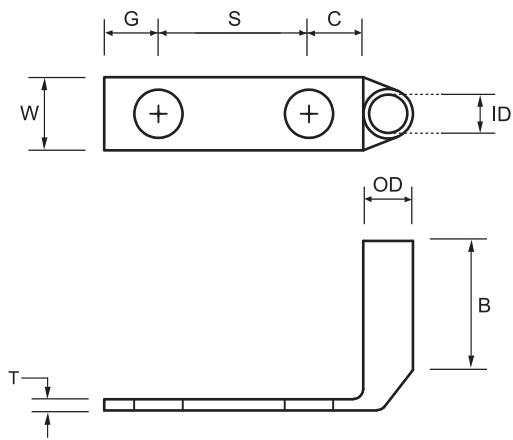
| Code No. | Copper Conductor | | Stud Size | Dimensions (in) | | | | | | |
|--------------|------------------|-----------------|-----------|-----------------|------|------|------|------|------|------|
| | AWG/MCM | mm ² | | I.D | O.D | W | G | C | T | B |
| KOHL 8-6 | 8 | - | 1/4" | 0.18 | 0.28 | 0.43 | 0.25 | 0.37 | 0.10 | 0.71 |
| KOHL 6-6 | 6 | 16 | 1/4" | 0.22 | 0.31 | 0.48 | 0.25 | 0.37 | 0.08 | 1.07 |
| KOHL 4-6 | 4 | 25 | 1/4" | 0.28 | 0.38 | 0.55 | 0.25 | 0.37 | 0.09 | 1.07 |
| KOHL 2-8 | 2 | 35 | 5/16" | 0.31 | 0.42 | 0.66 | 0.32 | 0.44 | 0.10 | 1.16 |
| KOHL 1/0-12 | 1/0 | 50 | 1/2" | 0.40 | 0.52 | 0.76 | 0.47 | 0.63 | 0.12 | 1.44 |
| KOHL 2/0-12 | 2/0 | 70 | 1/2" | 0.45 | 0.58 | 0.85 | 0.50 | 0.63 | 0.13 | 1.50 |
| KOHL 3/0-12 | 3/0 | 95 | 1/2" | 0.51 | 0.64 | 0.96 | 0.50 | 0.63 | 0.13 | 1.50 |
| KOHL 4/0-12 | 4/0 | - | 1/2" | 0.58 | 0.71 | 1.06 | 0.50 | 0.63 | 0.14 | 1.56 |
| KOHL 250-12 | 250 | 120 | 1/2" | 0.63 | 0.77 | 1.17 | 0.63 | 0.63 | 0.14 | 1.61 |
| KOHL 300-12 | 300 | 150 | 1/2" | 0.65 | 0.81 | 1.19 | 0.63 | 0.63 | 0.19 | 2.05 |
| KOHL 350-12 | 350 | - | 1/2" | 0.70 | 0.88 | 1.28 | 0.63 | 0.63 | 0.19 | 2.05 |
| KOHL 400-16 | 400 | 185 | 5/8" | 0.76 | 0.95 | 1.41 | 0.66 | 0.69 | 0.19 | 2.17 |
| KOHL 500-16 | 500 | 240 | 5/8" | 0.84 | 1.06 | 1.53 | 0.66 | 0.69 | 0.22 | 2.30 |
| KOHL 600-16 | 600 | 300 | 5/8" | 0.92 | 1.19 | 1.69 | 0.88 | 0.88 | 0.28 | 2.67 |
| KOHL 750-16 | 750 | - | 5/8" | 1.03 | 1.30 | 1.75 | 0.88 | 1.06 | 0.28 | 2.88 |
| KOHL 800-16 | 800 | 400 | 5/8" | 1.05 | 1.35 | 1.89 | 0.88 | 1.06 | 0.29 | 2.88 |
| KOHL 1000-16 | 1000 | 500 | 5/8" | 1.17 | 1.50 | 2.16 | 0.97 | 1.19 | 0.34 | 2.99 |

 **Test Certificate**
IEC 62561 Part 1
UL 486
NEMA CC1

 **Material**
One piece seamless, high conductivity pure electrolytic copper and tin plated

 **Application**
Long Barrel lugs are usable with high voltage up to 35 kV
Suitable for grounding and lightning protection system

Copper Lugs



Copper Lugs Two-Hole Long Barrel 90° Pad

| Code No. | Copper Conductor | | Stud Size | Dimensions (in) | | | | | | | |
|-----------------|------------------|-----------------|-----------|-----------------|------|------|------|------|------|------|------|
| | AWG/MCM | mm ² | | I.D | O.D | W | G | S | C | T | B |
| KTHL 8-6 DN | 8 | - | 1/4" | 0.18 | 0.28 | 0.43 | 0.25 | 0.63 | 0.37 | 0.10 | 0.71 |
| KTHL 6-6 DN | 6 | 16 | 1/4" | 0.22 | 0.31 | 0.48 | 0.25 | 0.63 | 0.37 | 0.08 | 1.07 |
| KTHL 4-6 DN | 4 | 25 | 1/4" | 0.28 | 0.38 | 0.55 | 0.25 | 0.63 | 0.37 | 0.09 | 1.07 |
| KTHL 2-8 DN | 2 | 35 | 5/16" | 0.31 | 0.42 | 0.66 | 0.36 | 0.75 | 0.44 | 0.10 | 1.16 |
| KTHL 1/0-12 DN | 1/0 | 50 | 1/2" | 0.40 | 0.52 | 0.76 | 0.63 | 1.75 | 0.63 | 0.12 | 1.44 |
| KTHL 2/0-12 DN | 2/0 | 70 | 1/2" | 0.45 | 0.58 | 0.85 | 0.63 | 1.75 | 0.63 | 0.13 | 1.50 |
| KTHL 3/0-12 DN | 3/0 | 95 | 1/2" | 0.51 | 0.64 | 0.96 | 0.63 | 1.75 | 0.63 | 0.13 | 1.50 |
| KTHL 4/0-12 DN | 4/0 | - | 1/2" | 0.58 | 0.71 | 1.06 | 0.63 | 1.75 | 0.63 | 0.14 | 1.56 |
| KTHL 250-12 DN | 250 | 120 | 1/2" | 0.63 | 0.77 | 1.17 | 0.63 | 1.75 | 0.63 | 0.14 | 1.61 |
| KTHL 300-12 DN | 300 | 150 | 1/2" | 0.65 | 0.81 | 1.19 | 0.63 | 1.75 | 0.63 | 0.19 | 2.05 |
| KTHL 350-12 DN | 350 | - | 1/2" | 0.70 | 0.88 | 1.28 | 0.63 | 1.75 | 0.75 | 0.19 | 2.05 |
| KTHL 400-12 DN | 400 | 185 | 1/2" | 0.76 | 0.95 | 1.41 | 0.63 | 1.75 | 0.75 | 0.19 | 2.17 |
| KTHL 500-12 DN | 500 | 240 | 1/2" | 0.84 | 1.06 | 1.53 | 0.63 | 1.75 | 0.75 | 0.22 | 2.30 |
| KTHL 600-12 DN | 600 | 300 | 1/2" | 0.92 | 1.19 | 1.69 | 0.63 | 1.75 | 0.75 | 0.28 | 2.67 |
| KTHL 750-12 DN | 750 | - | 1/2" | 1.03 | 1.30 | 1.75 | 0.63 | 1.75 | 0.75 | 0.28 | 2.88 |
| KTHL 800-12 DN | 800 | 400 | 1/2" | 1.05 | 1.35 | 1.89 | 0.63 | 1.75 | 0.75 | 0.29 | 2.88 |
| KTHL 1000-12 DN | 1000 | 500 | 1/2" | 1.17 | 1.50 | 2.16 | 0.63 | 1.75 | 0.75 | 0.34 | 2.99 |



Test Certificate
IEC 62561 Part 1
UL 486
NEMA CC1

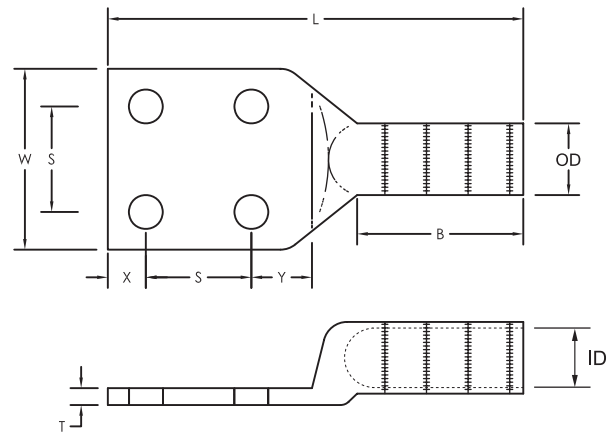


Material
One piece seamless, high conductivity pure electrolytic copper and tin plated



Application
Long Barrel lugs are usable with high voltage up to 35 kV
Suitable for grounding and lightning protection system

Copper Lugs



4 - Hole Copper Lugs

| Code No. | Copper Conductor | | Stud Size | Dimensions (in) | | | | | | | | | Weight (kg) |
|--------------|------------------|-----------------|-----------|-----------------|------|------|------|------|------|------|------|------|-------------|
| | MCM | mm ² | | I.D | O.D | L | W | X | S | Y | T | B | |
| KFH 250-12N | 250 | 120 | 1/2" | 0.63 | 0.77 | 5.23 | 3 | 0.63 | 1.75 | 0.75 | 0.14 | 1.61 | 0.26 |
| KFH 300-12N | 300 | 150 | 1/2" | 0.65 | 0.81 | 5.80 | 3 | 0.63 | 1.75 | 0.75 | 0.19 | 2.05 | 0.37 |
| KFH 350-12N | 350 | - | 1/2" | 0.70 | 0.88 | 5.80 | 3 | 0.63 | 1.75 | 0.75 | 0.19 | 2.05 | 0.38 |
| KFH 400-12N | 400 | 185 | 1/2" | 0.76 | 0.95 | 6.05 | 3 | 0.63 | 1.75 | 0.75 | 0.19 | 2.17 | 0.39 |
| KFH 500-12N | 500 | 240 | 1/2" | 0.84 | 1.06 | 6.11 | 3 | 0.63 | 1.75 | 0.75 | 0.22 | 2.30 | 0.48 |
| KFH 600-12N | 600 | 300 | 1/2" | 0.92 | 1.19 | 6.77 | 3 | 0.63 | 1.75 | 0.75 | 0.28 | 2.67 | 0.69 |
| KFH 750-12N | 750 | - | 1/2" | 1.03 | 1.30 | 7.05 | 3 | 0.63 | 1.75 | 0.75 | 0.28 | 2.88 | 0.71 |
| KFH 800-12N | 800 | 400 | 1/2" | 1.05 | 1.35 | 7.05 | 3 | 0.63 | 1.75 | 0.75 | 0.29 | 2.88 | 0.83 |
| KFH 1000-12N | 1000 | 500 | 1/2" | 1.17 | 1.50 | 7.25 | 3 | 0.63 | 1.75 | 0.75 | 0.34 | 2.98 | 0.92 |
| KFH 1250-12N | 1250 | 630 | 1/2" | 1.30 | 1.68 | 7.50 | 3 | 0.63 | 1.75 | 0.75 | 0.40 | 3.19 | 1.22 |
| KFH 1500-12N | 1500 | - | 1/2" | 1.44 | 1.85 | 7.50 | 3 | 0.63 | 1.75 | 0.75 | 0.40 | 3.19 | 1.30 |
| KFH 2000-12N | 2000 | 1000 | 1/2" | 1.67 | 2.14 | 8.16 | 3.06 | 0.63 | 1.75 | 0.75 | 0.46 | 3.14 | 1.66 |



Test Certificate
IEC 62561 Part 1
UL 486
NEMA CC1

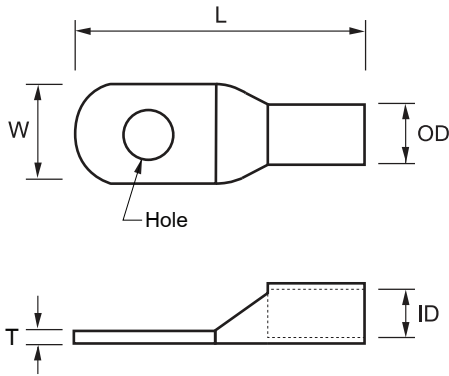


Material
One piece seamless, high conductivity pure electrolytic copper and tin plated



Application
Long Barrel lugs are usable with high voltage up to 35 kV
Suitable for grounding and lightning protection system

Copper Lugs



| Code No. | Cable (mm ²) | Hole (mm) | Dimensions (mm) | | | | | Weight (kg) |
|------------|--------------------------|-----------|-----------------|------|-----|------|-----|-------------|
| | | | I.D | O.D | L | W | T | |
| KOL 10-6 | 10 | 6.4 | 4.5 | 6.2 | 25 | 10.0 | 1.5 | 0.002 |
| KOL 10-8 | | 8.4 | | | | | | |
| KOL 16-6 | 16 | 6.4 | 5.4 | 7.1 | 30 | 10.0 | 1.5 | 0.01 |
| KOL 16-8 | | 8.4 | | | | | | |
| KOL 25-6 | 25 | 6.4 | 6.8 | 8.8 | 30 | 12.6 | 1.5 | 0.01 |
| KOL 25-8 | | 8.4 | | | | | | |
| KOL 25-10 | | 10.5 | | | | | | |
| KOL 35-6 | 35 | 6.4 | 8.2 | 10.6 | 35 | 15.0 | 2.5 | 0.01 |
| KOL 35-8 | | 8.4 | | | | | | |
| KOL 35-10 | | 10.5 | | | | | | |
| KOL 35-12 | | 13 | | | | | | |
| KOL 50-8 | 50 | 8.4 | 9.5 | 12.4 | 43 | 18.0 | 3.0 | 0.02 |
| KOL 50-10 | | 10.5 | | | | | | |
| KOL 50-12 | | 13 | | | | | | |
| KOL 70-8 | 70 | 8.4 | 11.2 | 14.7 | 50 | 21.0 | 3.4 | 0.03 |
| KOL 70-10 | | 10.5 | | | | | | |
| KOL 70-12 | | 13 | | | | | | |
| KOL 95-8 | 95 | 8.4 | 13.5 | 17.4 | 55 | 25.5 | 3.4 | 0.04 |
| KOL 95-10 | | 10.5 | | | | | | |
| KOL 95-12 | | 13 | | | | | | |
| KOL 120-10 | 120 | 10.5 | 15 | 19.4 | 60 | 28.0 | 4.0 | 0.06 |
| KOL 120-12 | | 13 | | | | | | |
| KOL 120-14 | | 15 | | | | | | |
| KOL 120-16 | | 17 | | | | | | |
| KOL 150-10 | 150 | 10.5 | 16.5 | 21.2 | 69 | 30.5 | 4.0 | 0.08 |
| KOL 150-12 | | 13 | | | | | | |
| KOL 150-14 | | 15 | | | | | | |
| KOL 150-16 | | 17 | | | | | | |
| KOL 185-12 | 185 | 13 | 18.5 | 23.5 | 78 | 34.0 | 4.5 | 0.10 |
| KOL 185-14 | | 15 | | | | | | 0.10 |
| KOL 185-16 | | 17 | | | | | | 0.09 |
| KOL 240-12 | 240 | 13 | 21 | 26.5 | 92 | 38.5 | 5.5 | 0.16 |
| KOL 240-14 | | 15 | | | | | | 0.16 |
| KOL 240-16 | | 17 | | | | | | 0.17 |
| KOL 240-18 | | 19 | | | | | | 0.17 |
| KOL 300-12 | 300 | 13 | 23.5 | 30.0 | 101 | 43.5 | 6.5 | 0.23 |
| KOL 300-14 | | 15 | | | | | | |
| KOL 300-16 | | 17 | | | | | | |
| KOL 300-18 | | 19 | | | | | | |
| KOL 400-14 | 400 | 15 | 28.5 | 36.5 | 114 | 53.0 | 7.5 | 0.40 |
| KOL 400-16 | | 17 | | | | | | 0.40 |
| KOL 400-18 | | 19 | | | | | | 0.39 |
| KOL 400-20 | | 21 | | | | | | 0.39 |
| KOL 500-14 | 500 | 15 | 29.7 | 38.1 | 124 | 56.0 | 8.5 | 0.46 |
| KOL 500-16 | | 17 | | | | | | 0.46 |
| KOL 500-18 | | 19 | | | | | | 0.45 |
| KOL 500-20 | | 21 | | | | | | 0.45 |



Test Certificate
IEC 62561 Part 1
UL 486
NEMA CC1



Material
One piece seamless, high conductivity
pure electrolytic copper and tin plated



Application
These terminals are designed for low
voltage up to 600V
Suitable for grounding and lightning
protection system